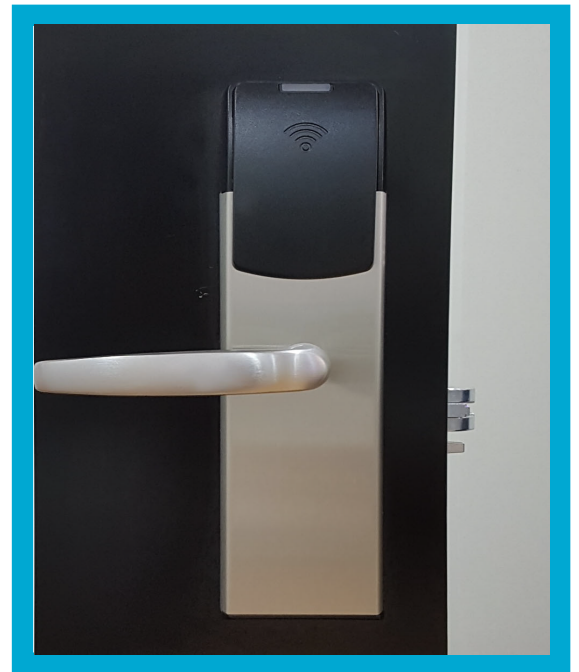


VingCard Alfa RFID Electronic Lock

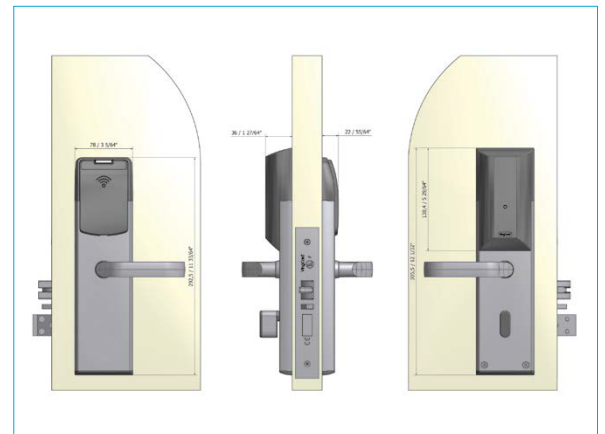
Alfa RFID offers the latest Radio Frequency Identification (RFID) technology and the quickest path to go contactless. By standardizing design and finish options, the product is also a very cost effective solution which provides exceptional good value for money.



FEATURES

- : Standalone electronic lock with RFID technology.
- : Supports Mobile Access.
- : Fire-listed for use on fire doors. (UL, EN, BS).
- : High security mortise lockcase available in ANSI, JPN, AUS and EURO versions.
- : CE, FCC approved.
- : Solid steel handles with self-lubricating long life bearings.
- : 3-point steel latch construction with an anti-friction mechanism.
- : Case hardened full 1-inch (ANSI) throw deadbolt.
- : Panic release function – the deadbolt and latch are automatically retracted by inside handle for easy regress in emergency situations.
- : ADA compliant (persons with physical disabilities).
- : Future proof re-programmable FLASH RAM lock memory.
- : Powered by three (3) AA batteries that provide up to 3 years normal life.
- : Up to 2000 event audit trail (in offline mode in Visionline). 600 events in Vision.
- : Compatible with Visionline and Vision software platforms.
- : Straight handle as standard handle.

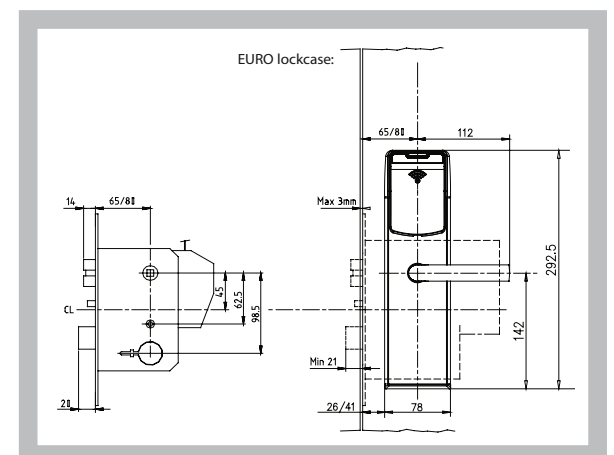
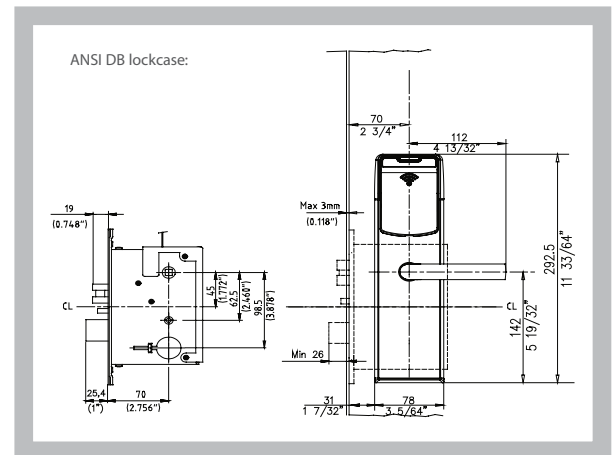
DIMENSIONS



- : RFID Specifications:
 - 13,56MHz technology
 - Compatible with the following standards:
 - ISO 14.443 A (MIFARE including Desfire)
 - ISO 14.443 B
 - ISO 15.693

TECHNICAL DATA

Power	4,5 V DC (3 x AA alkaline batteries).
Battery location	Inside of the room.
Material	Escutcheon: Stainless steel, quality SS316 Handles: Stainless steel quality SUS304 Battery cover: Polycarbonate (Makrolon 6265 . V0). RFID cover: Polycarbonate UL94V0 (Makrolon 6555).
Metal finishes	Satin Chrome (Stainless Steel with PVD), Polished Chrome (Stainless Steel with PVD), Satin Brass (Stainless Steel with PVD), Polished Brass (Stainless Steel with PVD), Light Bronze, Velour Nickel and US Antique Dark.
Standard plastic color	Black RAL 9005 (RFID cover, end caps and battery cover).
Handle options in standard range	Straight Handle(as standard)
Emergency opening options	Electronic emergency opening with service unit and No mechanical cylinder.
User interface	3 colored LED display (green, red, yellow).
Locking mechanism	Electro-mechanical locking mechanism located in the lockcase.
Door thickness	34 - 90 mm / 1,34 - 3,54 Inches.
System Software compatibility	Visionline and Vision.
Online compatibility	Wireless (based on ZigBee protocol) in Visionline.
Storage temperature	0-70 °C / 32-158 °F: non-condensing environment.
Tested operating temperature	Tested from -25 °C to 70 °C (-13 °F to 158°F), according to IEC 60068-2.
Certifications	European EMC, LVD and R&TTE Directives Fire approved according to EN 1642-1 Fire approved according to UL (timber doors and metal doors). Fire approved according to German MPA standard,



LOCKCASE DIMENSIONS

ANSI lock case variants	ANSI DA, ANSI DB (both available in the following versions: 4-switch, Auto deadbolt (ADB) Australia version (AUS) and Japan (JPN) version).
ANSI lock case widths	25 mm / 0,98 inches, 28 mm / 1,10 inches, 32 mm / 1,26 inches.
ANSI backset	70 mm / 2,76 inches.
EURO lock case variants	EURO, EURO ADB, EURO MPA.
EURO lock case widths	20 mm / 0,79 inches, 22 mm / 0,87 inches, 24 mm / 0,94 inches.
EURO backsets	65 mm / 2,56 inches, 80 mm / 3,15 inches.

Contact Us

ASSA ABLOY Hospitality AS,
C/O HID India Pvt. Ltd. , Tower D Annexure, NO. 1&2,
The Millenia Towers, Ulsoor, Bangalore - 560 008
India